

### Specifications

#### Wafer

備注 (Remark)

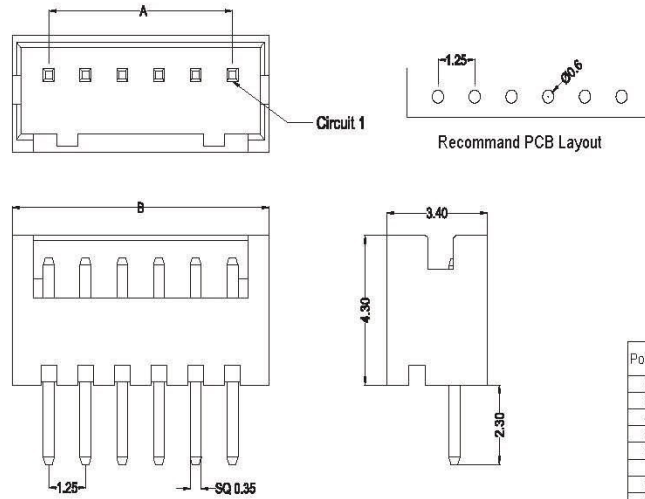
1. 材料 (Material)

膠芯: PA66 UL94V-0

Housing: PA66 UL94V-0

端子: 黃銅

Contact: Brass



KWC1250-PV-XX

Poles	Dimensions (mm)	
	A	B
2	1.25	3.75
3	2.50	5.00
4	3.75	6.25
5	5.00	7.50
6	6.25	8.75
7	7.50	10.00
8	8.75	11.25
9	10.00	12.50
10	11.25	13.75
11	12.50	15.00
12	13.75	16.25
13	15.00	17.50
14	16.25	18.75
15	17.50	20.00

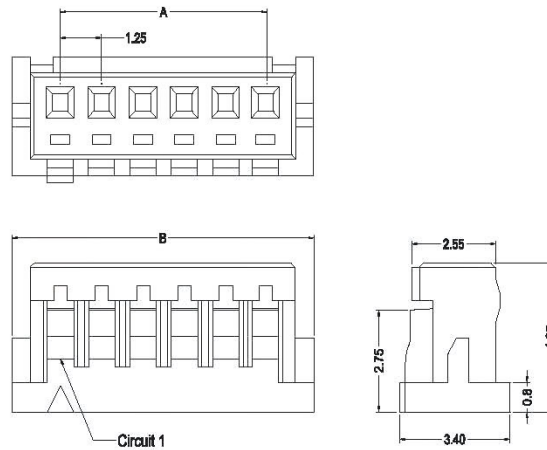
#### Housing

備注 (Remark)

1. 材料 (Material)

膠芯: PA66 UL94V-0

Housing: PA66 UL94V-0



KWH1250-XX

Poles	Dimensions (mm)	
	A	B
2	1.25	4.15
3	2.50	5.40
4	3.75	6.65
5	5.00	7.90
6	6.25	9.15
7	7.50	10.40
8	8.75	11.65
9	10.00	12.90
10	11.25	14.15
11	12.50	15.40
12	13.75	16.65
13	15.00	17.90
14	16.25	19.15
15	17.50	20.40

W

WAFER

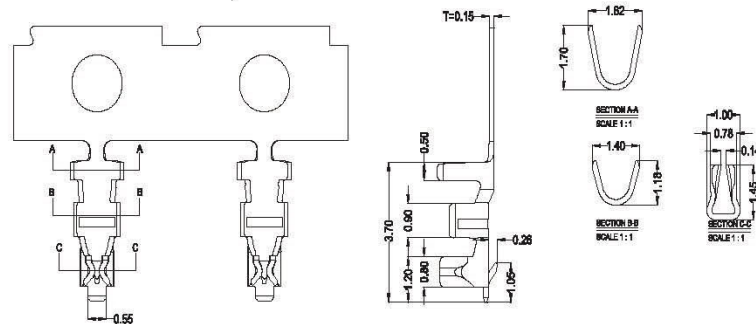
#### Terminal

備注 (Remark)

1. 材料 (Material)

端子: 磷青銅

Contact: Phosphor bronze



KWT1250